

Centrifugal Fan

EchoSwift

Chemical Resistant

www.echoswift.com



FRP Fan

Polypropylene

Terengganu (HQ)
Lot PT 14293 (Plot A), Kawasan Perindustrian Batu 7,
23000 Dungun, Terengganu Darul Iman.
Phone no.: 09-8490046 Fax. No.: 09-8490032
e-mail: echos@echoswift.com

Selangor (Branch)
BE-1-7A Jalan Pinggiran 1/4, Taman Pinggiran Putra,
43300 Seri Kembangan, Selangor Darul Ehsan.
Phone: 012-9887600 email : echoswift@yahoo.com

The Effective Solution to Air Pollution Problems

www.echoswift.com

Polypropylene Fan MSFV



Design for Fume Hood / Booth Hood / Canopy Hood

www.echoswift.com



In the practice the PV fan proves to be a sturdy, compact, synthetic material fan with good ventilating properties, such as a large production of air at considerable static head, a low sound-level and high efficiency level.

All parts are proof against corrosive and aggressive fumes. The PV fans are suitable for outdoor mounting.

FIELD OF EMPLOYMENT

The fans are employed wherever moist, acid or chemically polluted fumes must be sucked off. We have in mind laboratories, chemical and petrochemical industry, galvanic-, photo-, paper-, refining-, textile-, food- and dairy- industry, paint-spray cabins, printing-works, garages, and such-like.

MATERIALS

The fans are made entirely of PP (polypropylene)
The motor – base is made of galvanized steel
Housing shall be constructed of strong high-density polypropylene for maximum corrosion resistance.
(Fibre-glass construction are also available upon request)

MOUNTING

Standard design is that all fans are directly driven by a single / three revolution electromotor. On application the fan can also be supplied with belt / pulley drive for other speeds.

DEPENDABILITY

The fans warrant a high and long-lasting dependability because of their sound construction and high-quality materials.

ECONOMIC OPERATIONS

Because of their high efficiency the fans result in economic operations.

MAINTENANCE

We recommend an annual check on :

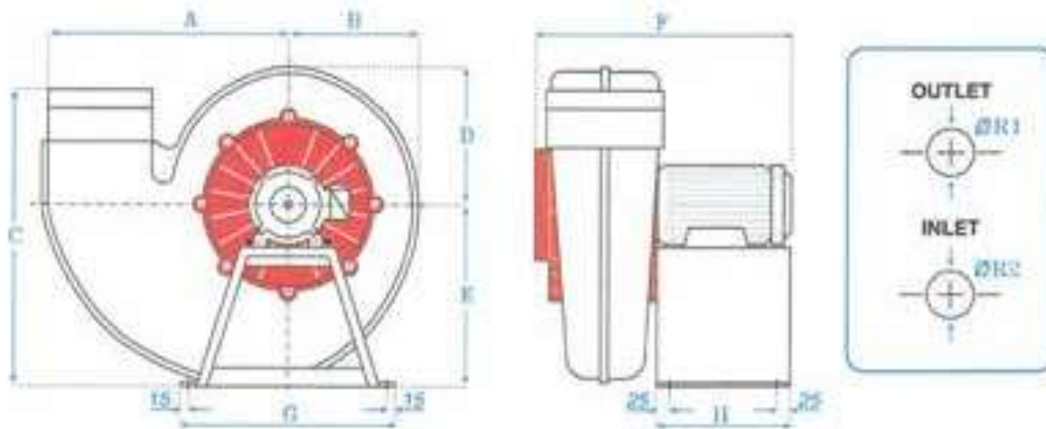
- Pollution of the fan (pollution can throw the impeller out of balance).
- Clogging of the condensation-drain and /drain-pipe.
- Fastening of the fan and electromotor to the motor support.
- Condition of the electromotor and the electric connections.

SOUND-DATA

Sound-data more extensive than included in this brochure are available on application.



Massive Fan Industries Sdn, Bhd, certifies that the MSFV series shown herein are licensed to bear the AMCA Seal. The ratings shown are based on tests and procedures performed in accordance with AMCA Publication 211 and AMCA Publication 311 and comply with the requirements of the AMCA Certified Rating Program.



MODEL	A	B	C	D	E	F	G	H	R1	R2
MSFV 160-BCV 200/ PP200	338	204	443	221	280	425	338	225	158	158
MSFV 200-PP 280/ PP250/BCV 300	432	241	535	254	333	490	410	255	205	200
MSFV 250 -PP315/ PP280/ BCV350	537	300	683	316	415	610	410	260	255	250

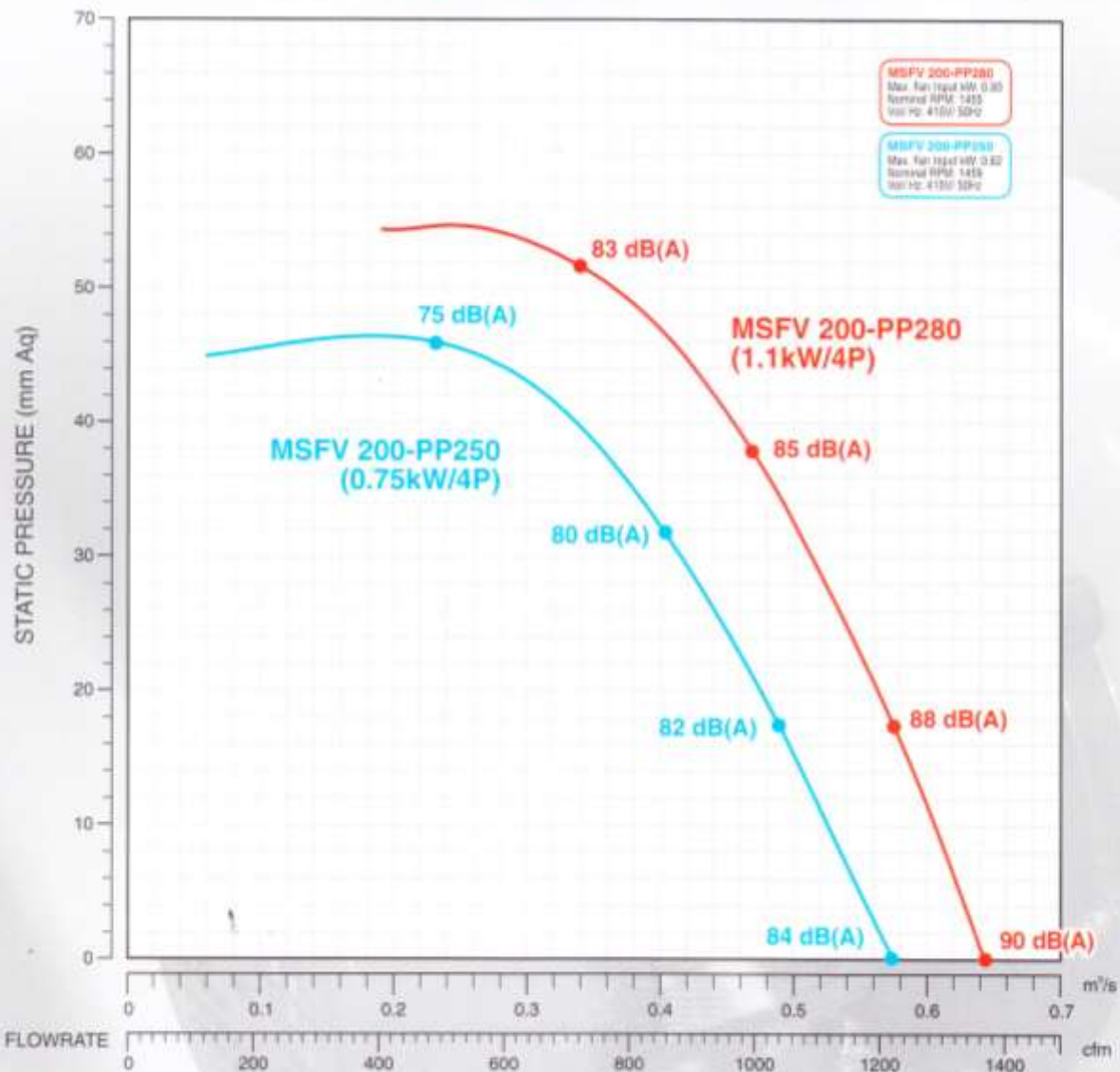
Polypropylene Fan MSFV

Design for Fume Hood / Booth Hood / Canopy Hood

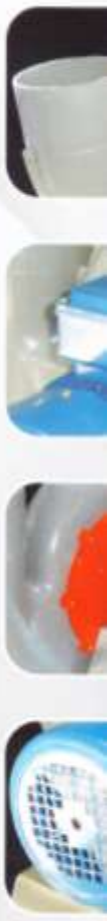


www.echoswift.com

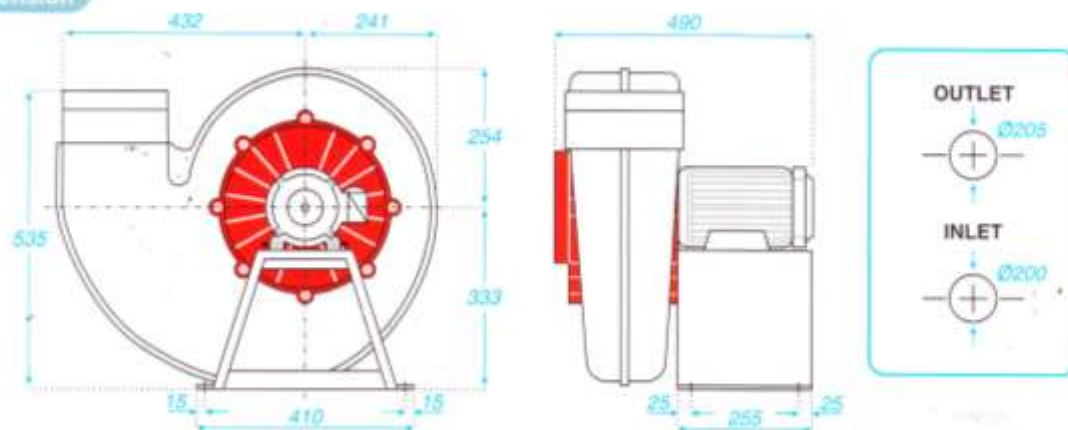
MSFV 200-PP280 / MSFV 200-PP250 (1400RPM)



- Performance certified is for installation type B - Free inlet, Ducted outlet. • Speed (RPM) shown is nominal. Performance is based on actual speed of test.
- Performance ratings do not include the effects of appurtenance (accessories). • Values shown are for (inlet LwA) sound power levels for installation Type B: free inlet, ducted outlet. The A-weighted sound ratings shown have been calculated per AMCA International Standard 301.



Dimension





Please Request for Detail Fan Specification

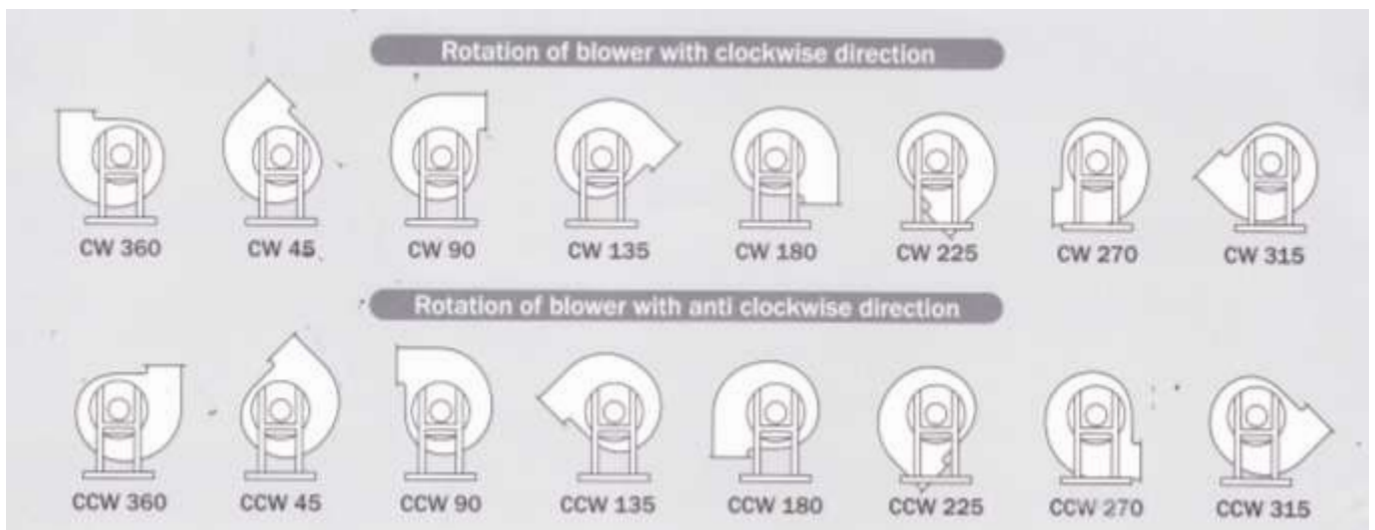
Fiberglass Reinforced Plastic Fans (FRP) FRP Centrifugal Design

Customize Sizes 6" to 60" • diameter

Maximum 30000 CFM

Belt and Direct Drive

From steel mills to chemical processing to emissions control, today's industrial air moving and exhausting systems must withstand a growing variety of severe corrosives. Centrifugal Fan fiberglass reinforced plastic (FRP) fans are built to handle these harsh fumes, vapors, and gases. This fiberglass polyester composition is also impervious to extreme outside environments. Exterior steel components are protected by a special vinyl phenolic coating.



MODEL : MSV 315

